



承 认 书

SPECIFICATION FOR APPROVAL

CUSTOMER/客户:	
TYPE/类型:	TOROIDAL TRANSFORMER
PART NO./物料编号:	-----
CUSTOMER'S MATERIAL NO./客户型号:	1500VA
OUR MODEL NO./本厂编号:	JL-347RT
DESIGN/编制:	姚 林
APPROVAL/批准:	刘邵恒
AUTHORIZED SIGNATURE & COMPANY CHOP 客户认可回签(章)	

东 莞 市 石 碣 君 凌 电 子 厂

Dongguan City Shijie Junling Electronic Factory

地址: 广东省东莞市石碣镇新城崇焕西路108号

TEL: 0769-86363687

FAX: 0769-86363687

E-mail address: dgjunling@163.com

http://www.dgjunling.com



ELECTRICAL PERFORMANCE/电气性能

1. ENFORCE STANDARD/执行标准

SAFETY STANDARD/安规标准: EN61558-1

2. ELECTRICAL PERFORMANCE/电气参量

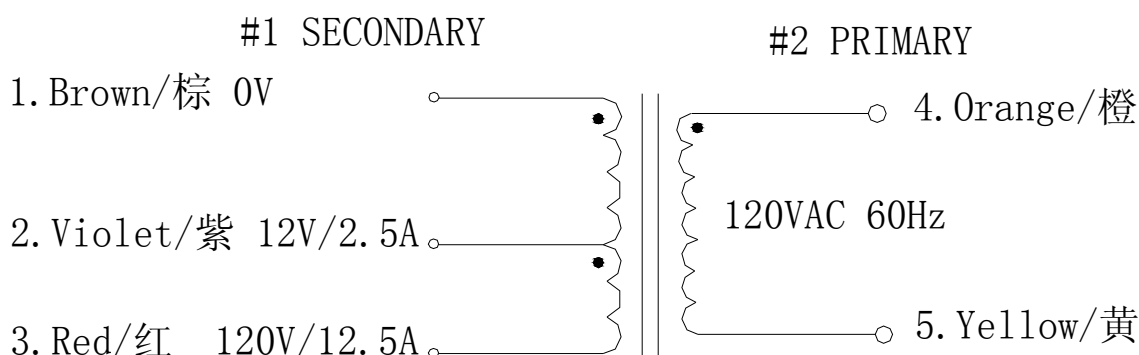
Primary rated voltage/初级额定输入: 120VAC 60Hz

Exciting current/最大空载(励磁)电流: 80mA (132V/60Hz) 铁损小于 9W

Secondary rated voltage and current/次级额定输出:

	UNLOAD VOLTAGE 空载电压(VAC ±3%)	LOADING VOLTAGE 负载电压(VAC±3%)	RATED CURRENT 额定负载电流(AAC)
S1:1~2~3	0V-12.8V-127VAC	0V-12V-120VAC	12.5A
S2:			
S3:			
S4:			

3. CIRCUIT DIAGRAM/电路图



注：次级绕组先绕，棕色同橙色线为线头同名端

4. WORKING AND SAFETY PROTECTION/工作防护及安全保护

- Electrostatic Shield/静电屏蔽
- Magnetic Shield/磁屏蔽
- Temperature Protection/温度保护
- Over Current Protection/过电流保护

5. INSULATION/绝缘性能

Insulation resistance test (type test)/绝缘电阻测试 (型式测试): Pri.~sec. 500V DC 100 MΩ MIN.

HI-POT TEST (100% test)/耐压测试 (100%测试): Pass our dielectric strength test, without any breakdown

Pri.~sec. AC 4kV for 60 seconds (leakage current 5mA MAX)

通过以下绝缘强度测试不产生绝缘崩溃

初级对次级 AC 4kV 60 秒 (最大漏电流 5mA);

6. TEMPERATURE RISE/温升性能

Ta=25°C Test by resistance method At rated load 2H WINDINGS' TEMPERATURE RISE 75°C MAX.

环境温度为 25°C 电阻法测试 额定负载 2 小时 绕组最大温升为 75°C.

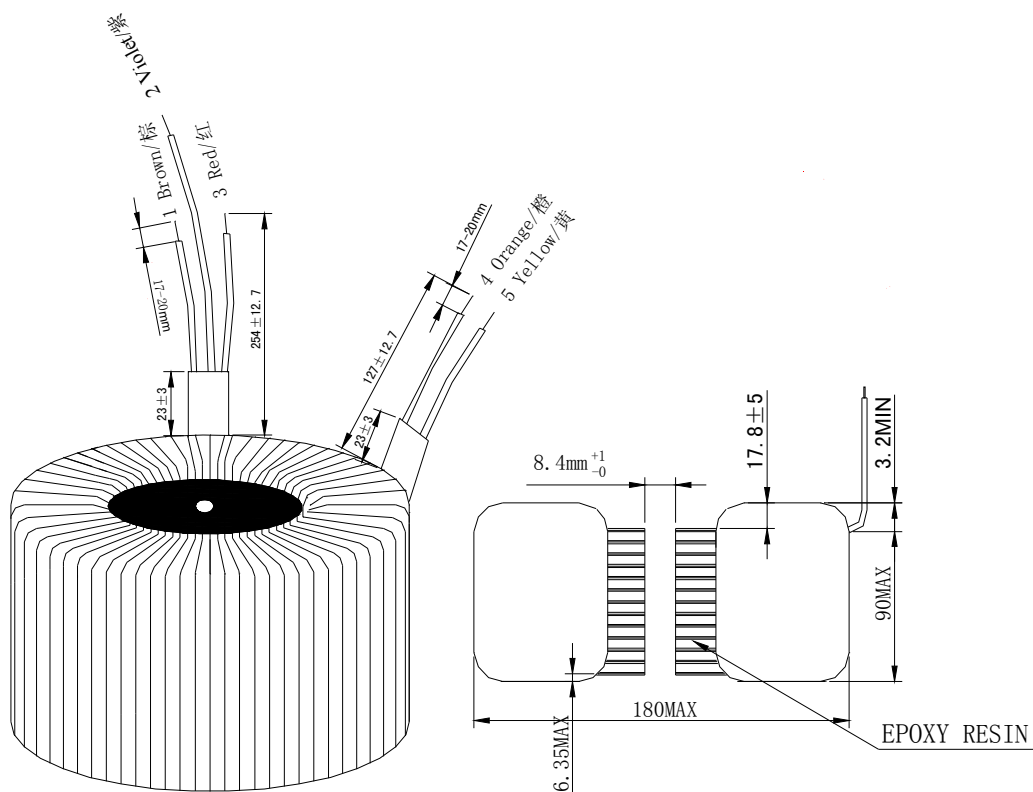
7. MAJOR MEASUREMENT FACILITIES/主要测量设备:

HI-POT TESTER (高压机): CJ2670	INSULATION-RESISTANCE METER(绝缘电阻表): ZC-7
VOL TMETER (电压表): T19-V	DC-RESISTANCE METER (直流电阻表): QJ44
AMPEREMETER (安培表): T19/1-A	



EXTERNAL VIEW/外观

LEADS/引线	SECONDARY/次级			PRIMARY/初级	
LEAD NO./ 引线序号	1~2~3			4~5	
COLOR/ 颜色	Brown/棕	Violet/紫	Red/红	Orange/橙	Yellow/黄
SPECS/ 规格	自身铜线引线引出 套 PVC 套管	1015#22AWG	自身铜线引线引出 套 PVC 套管	自身铜线引线引出套 PVC 套管	
LENGTH/ 长度(±12.7mm)	254mm	432mm	254mm	127mm	
TERMINAL/ 线端	Strip & Tin 17mm-20mm			Strip & Tin 17mm-20mm	



注：初次级出线角度为90°±10°出线

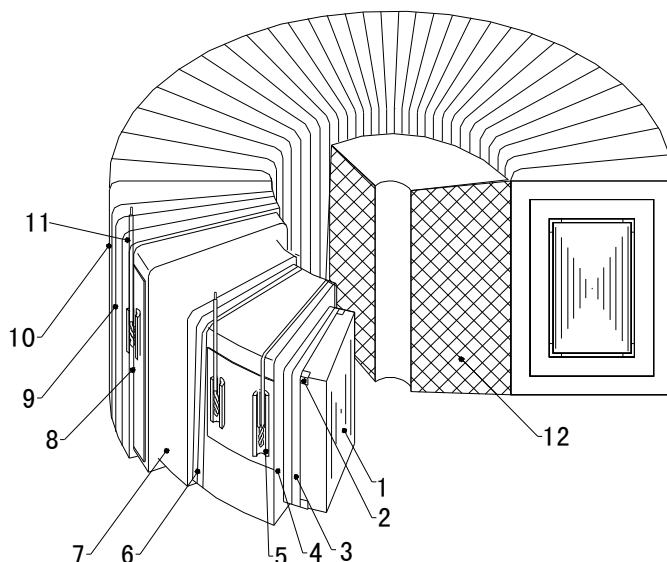
Note: The dimension is not including the leads emergence./ 以上外型尺寸不含出线处。

The dimension including the leads emergence./外型尺寸含出线处 Ht:90max,Od: 180max.

LABEL/标签	WEIGHT/重量(kg)	11 ± 0.3
ACCESSORIES/附件		
 <p>1500W TOROIDAL TRANSFORMER MODEL : JL-347RT [18/22] INPUT : 120V/60Hz YEL-ORG OUTPUT : 0V-12V/2.5A-120V/12.5A BRN-----VIO-----RED Dongguan City Shijie Junling Electronic Factory</p>	1	METAL WASHER/环牛盖
	2	RUBBER WASHER/橡胶垫
	3	SCREW/螺栓(白锌)
	4	HEX NUT/螺母
	5	WASHER/平垫
	6	LOCK WASHER/弹垫
	7	RUBBER WASHER/橡胶垫
	8	METAL WASHER/方型盖(圆孔)



CONSTRUCTION & MATERIAL LIST/结构及材料明细



NO: 序号	DENOMINATION 名称	MATERIAL 材料	型号/规格	SUPPLIERS 供应商	认证	CERTIFICATE NUMBER 认证号
1	Annular core 环形铁芯	Cold rolling directional silicon steel 取向硅钢带	23Z130	NIPPON STEEL CO. or equivalent	—	----
2	Insulation protection 绝缘保护	Non-woven fabric adhesive tape 无纺 布胶带	WF2901 12mm 外径边缘两圈	JINJIANG YAHUA PRESSURE SENSITIVE GLUE CO LTD or equivalentt	UL	E165111
3	Core Insulation 铁芯绝缘	Polyester 12.5C 聚脂薄膜 12.5C	Mylar EL 15mm× 0.125mm 两次 1/2 绝缘	DUPONT TEIJIN FILMS U S LP or equivalent	UL	E93687
4	Sec.Winding 次级绕组	Enamelled copper wire 漆包圆铜线	EIW/180 or QZY-2/180℃/	NINGBO JINTIAN NEW MATERIAL CO LTD or equivalent	UL	E227047
5	Terminal cannula 接头护套	PVC TUBING PVC 套管	Φ 3mm/3.5mm× 0.5mm /105℃ Φ 6mm/Φ 8mm× 0.5mm /105℃	QIFURUI ELECTRONICS CO DAE CHANG ELECCOM CO LTD or equivalent	UL	E225897 E120268
6	Pri.Insulation 初级绝缘	Polyester 12.5C 聚脂薄膜 12.5C	Mylar EL 15mm× 0.125mm 三次 1/2 绝缘	DUPONT TEIJIN FILMS U S LP or equivalent	UL	E93687
7	Pri.Winding 初级绕组	Enamelled copper wire 漆包圆铜线	EIW/180 or QZY-2/180℃/	NINGBO JINTIAN NEW MATERIAL CO LTD or equivalent	UL	E227047
8	Termial uderlay 接头垫护	Polyester 20C 聚脂薄膜 20C	Mylar EL 35mm 宽× 60mm 长×0.2m 两层	DUPONT TEIJIN FILMS U S LP or equivalent	UL	E93687
9	Insulation protection 保护胶	Mylar 麦拉胶带	CT286 50mm 宽白 色外缠两圈	JINJIANG YAHUA PRESSURE SENSITIVE GLUE CO LTD or equivalentt	UL	E165111
10	Coating insulation 外包绝缘	Polyester 12.5C 聚脂薄膜 12.5C	Mylar EL 15mm× 0.125mm 两次 1/2 绝缘	DUPONT TEIJIN FILMS U S LP or equivalent	UL	E93687
11	Lead 引线	UL WIRE 认证电子线	1015#22AWG	SHENZHEN DONG JU WIRE &CABLE CO LTD. QIFURUI ELECTRONICS CO. or equivalent UL recognized wire	UL	E189674 E211048
12	Potted resin 环氧	Potted resin 环氧树脂	3300A/B	DONGGUAN EATTO ELECETRONIC MATERIAL CO.,LTD. or equivalent	UL	E218090